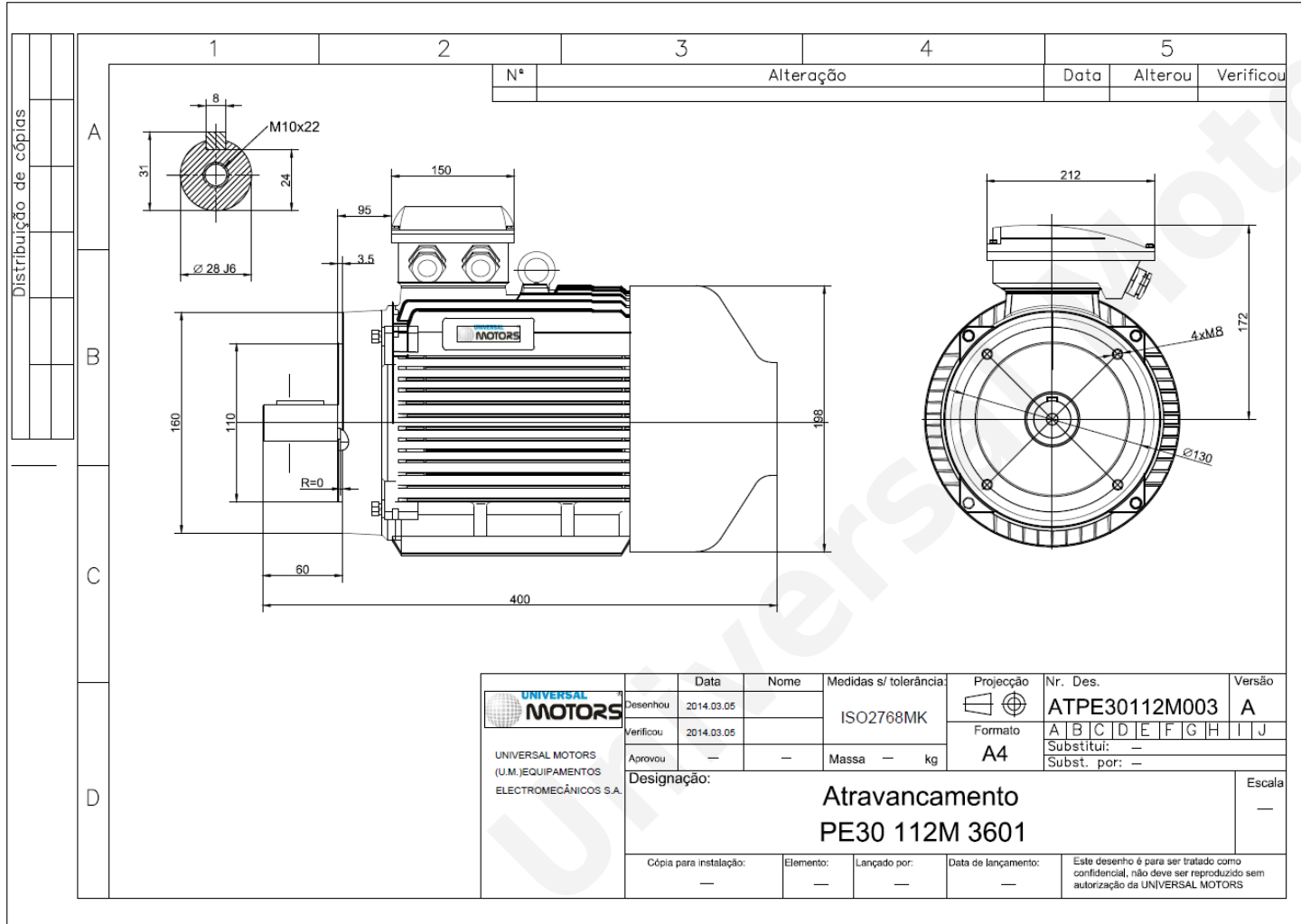




TECHNICAL DATA

Three Phase Electric Motors - Cast Iron Frame
 PE30 100 L1 4 IE3
 2.2 kW / 3 Cv
 1455 RPM



Motor type:	PE30 100 L1 4 IE3
Output:	2.2 kW / 3 Cv
Speed (min ⁻¹):	1455 RPM
Frequency:	50 Hz
Voltage:	400 V
Current:	4.52 A
Power factor (Cos Ø):	0.81
Poles:	4
Insulation class:	F
Temperature rise Class:	B
Efficiency 50%:	85.9 %
Efficiency 75%:	87.4 %
Efficiency 100%:	86.9 %
Torque:	14 N.m
Tstarting/Tnominal:	2.3
Istarting/Inominal:	7.6
Tmaximum/Tnominal:	2.3
Noise:	53 Db(A)
Weight:	40 Kg
Bearing DE:	6206 2Z C3
Bearing NDE:	6206 2Z C3

Regime - S1

Altitude - 1000m

Environment Temperature - 40°C

CONTACTS:

UNIVERSAL MOTORS Tel: +351 252 299 080
 Rua de São Brás,745 Fax: +351 252 299 089
 4480-782 VILA DO CONDE Mail: geral@universalmotors.pt

* References applied only in the UK